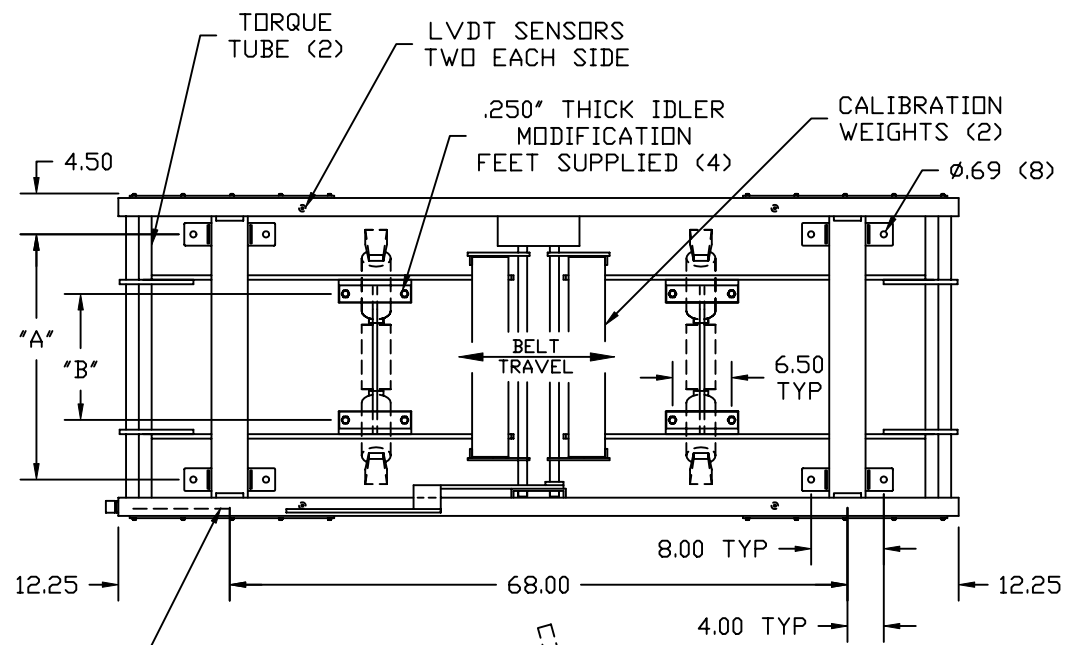
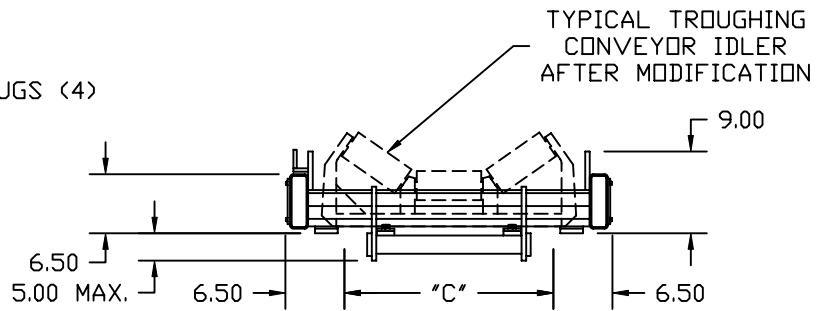
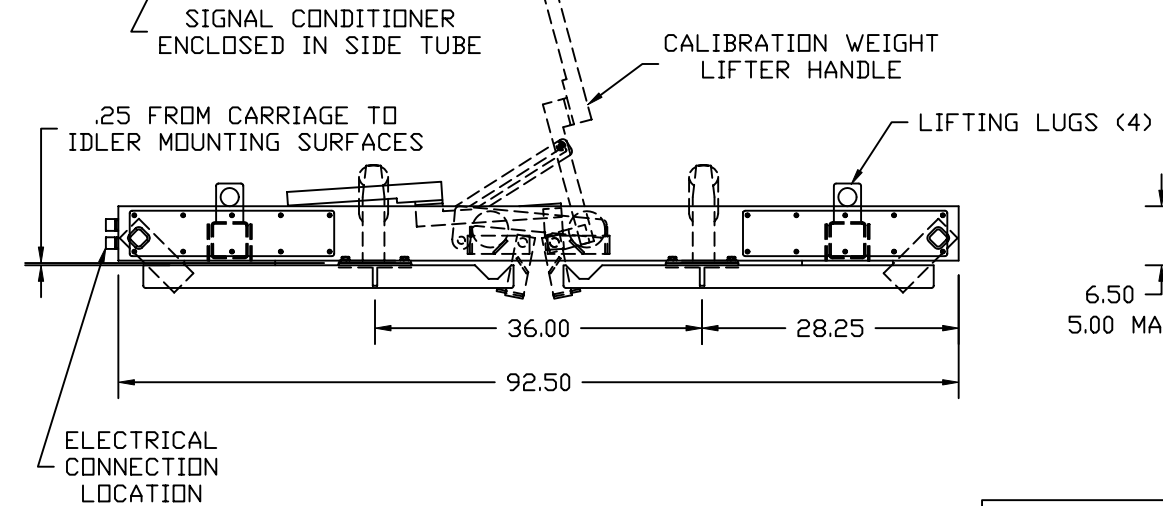


| MODEL NUMBER | BELT WIDTH | MTG HOLES "A" | IDLER MTG "B" | BETWEEN RAILS "C" MINIMUM |
|--------------|------------|---------------|---------------|---------------------------|
| WY20-01-24 | 24" | 33.00 | 20.00 | 29.00 |
| WY20-01-30 | 30" | 39.00 | 26.00 | 35.00 |
| WY20-01-36 | 36" | 45.00 | 32.00 | 41.00 |
| WY20-01-42 | 42" | 51.00 | 38.00 | 47.00 |
| WY20-01-48 | 48" | 57.00 | 44.00 | 53.00 |
| WY20-01-54 | 54" | 63.00 | 50.00 | 59.00 |
| WY20-01-60 | 60" | 69.00 | 56.00 | 65.00 |



NOTE:
CALIBRATION WEIGHT LIFTER HANDLE, SIGNAL CONDITIONER AND ELECTRICAL CONNECTION ARE SHOWN FOR RIGHT HAND UNITS. LOCATED OPPOSITE SIDE SHOWN FOR LEFT HAND UNITS.



| | | | | | |
|--|------------------------|----------------------------|--|-----|--|
| THIS DRAWING IS THE PROPERTY OF TECNETICS AND MAY NOT BE USED, COPIED OR DISCLOSED TO OTHERS WITHOUT PERMISSION OF TECNETICS DIMENSIONS ARE IN INCHES TOLERANCES ARE "E" UNLESS OTHERWISE SPECIFIED A = ±.005 D = ±.060 B = ±.015 E = ±.125 C = ±.030 ANGLES = ±5° DO NOT SCALE THIS DRAWING REMOVE ALL BURRS AND UNNECESSARY SHARP EDGES | DRAWN BY FCP | | 1811 BUERKLE RD ST PAUL, MN 55110 PH 651-777-4780 FX 651-777-5582 | | |
| | DATE DRAWN 12/15/99 | | TITLE OUTLINE DIMENSIONS, WY20 | | |
| | CHECKED BY | 24" TO 60" WIDE BELT | | | |
| | DATE CHECKED | 36" IDLER SPACING | | | |
| SCALE NONE | SIZE A | DRAWING NUMBER 20966200 | SHEET 1 OF 1 | REV | |