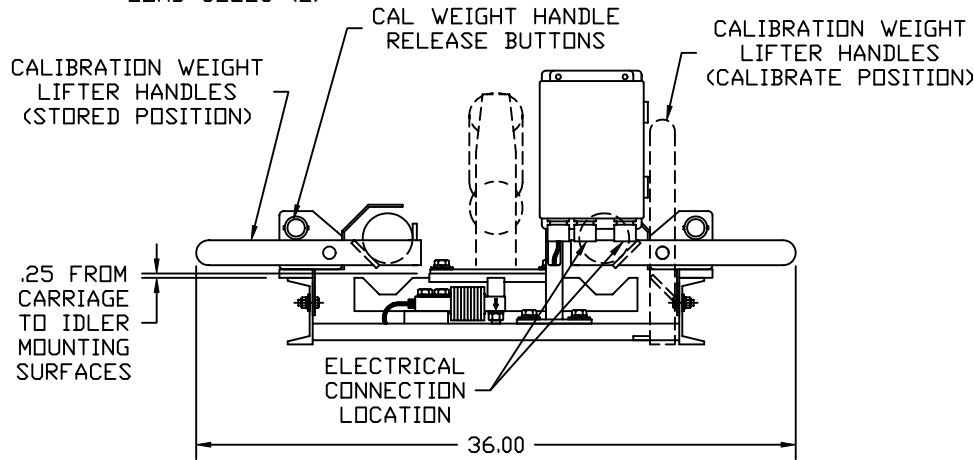
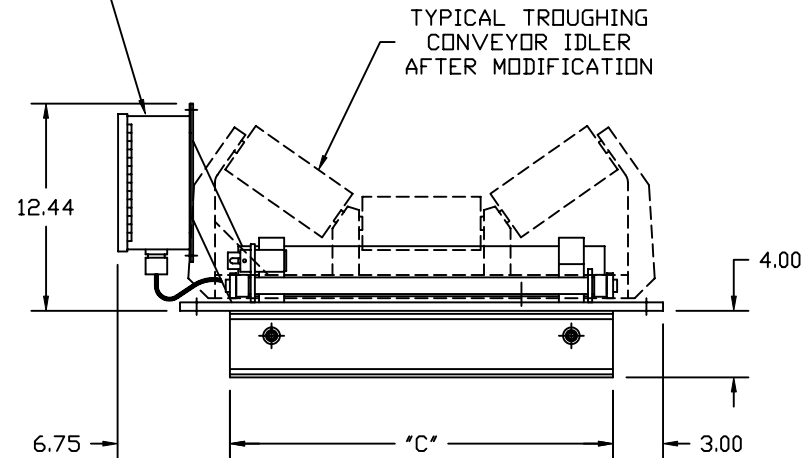


MODEL NUMBER	BELT WIDTH	MTG HOLES "A"	IDLER MTG "B"	BETWEEN RAILS "C" MINIMUM
WY15-18	18"	27.00	14.00	23.00
WY15-24	24"	33.00	20.00	29.00
WY15-30	30"	39.00	26.00	35.00
WY15-36	36"	45.00	32.00	41.00
WY15-42	42"	51.00	38.00	47.00
WY15-48	48"	57.00	44.00	53.00
WY15-54	54"	63.00	50.00	59.00
WY15-60	60"	69.00	56.00	65.00



SIGNAL CONDITIONER  
NEMA 12 ENCLOSURE



THIS DRAWING IS THE PROPERTY OF  
TECNETICS AND MAY NOT BE USED,  
COPIED OR DISCLOSED TO OTHERS  
WITHOUT PERMISSION OF TECNETICS

DRAWN BY  
FCP  
DATE DRAWN  
12/14/99

DIMENSIONS ARE IN INCHES  
TOLERANCES ARE ".E"  
UNLESS OTHERWISE SPECIFIED  
A = ±.005 D = ±.060  
B = ±.015 E = ±.125  
C = ±.030 ANGLES = ±.5°

CHECKED BY  
DATE CHECKED  
SCALE  
NONE  
JOB NUMBER

DO NOT SCALE THIS DRAWING  
REMOVE ALL BURRS AND  
UNNECESSARY SHARP EDGES



1811 BUERKLE RD  
ST PAUL, MN 55110  
PH 651-777-4780  
FX 651-777-5582

TITLE OUTLINE DIMENSIONS, WY15 18" TO 60" WIDE BELT MILD STEEL CONSTRUCTION		SIZE A	DRAWING NUMBER 20965800	SHEET OF 1 1	REV
--	--	-----------	----------------------------	-----------------------	-----