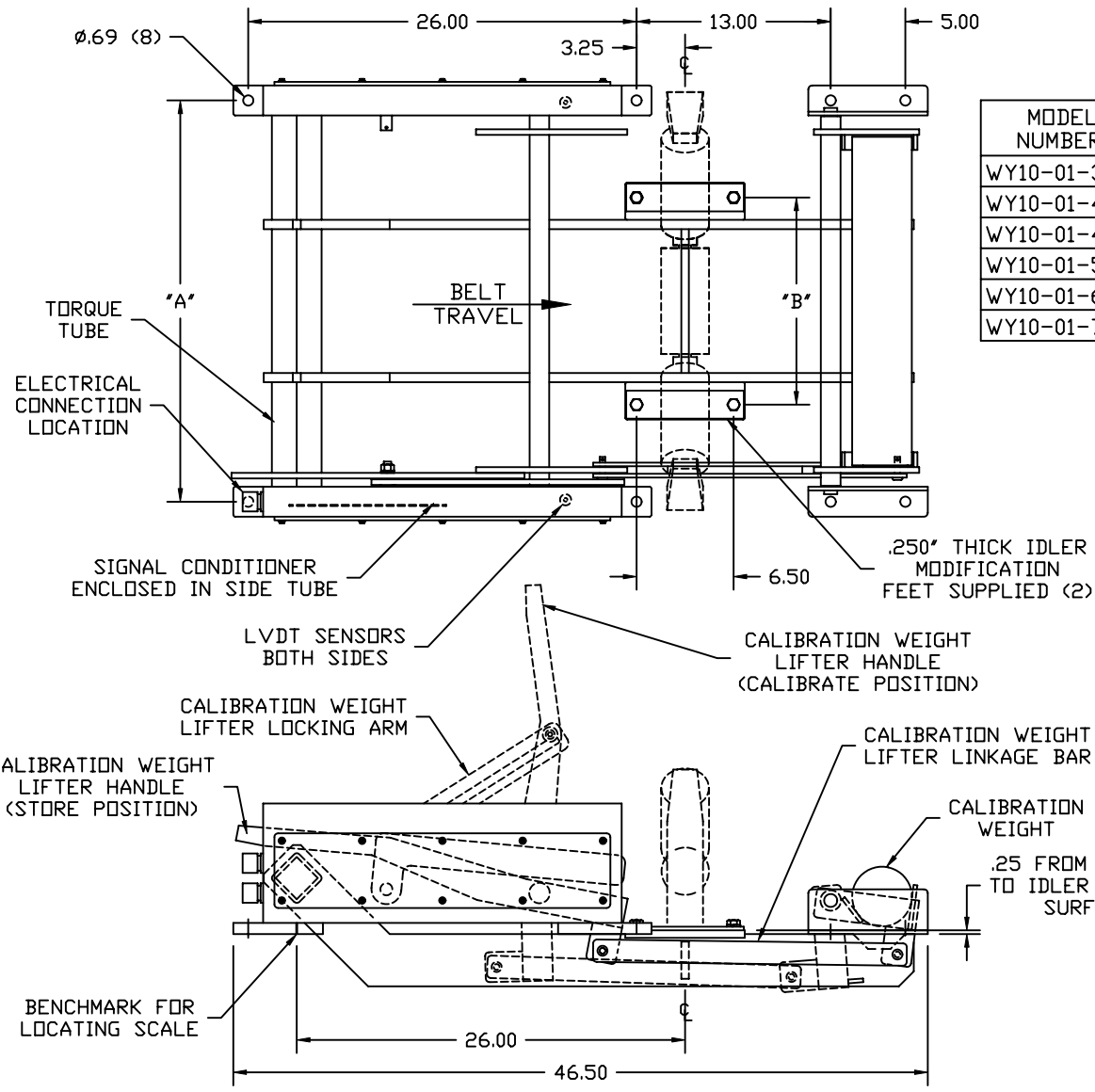
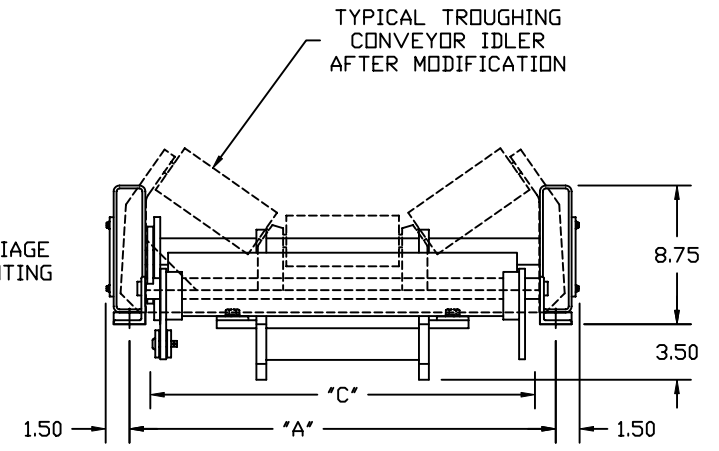


REV	DESCRIPTION	ZONE	DATE	APP
A	ADDED 60" MODEL TO TABULATION		3/14/00	FCP

MODEL NUMBER	BELT WIDTH	MTG HOLES "A"	IDLER MTG "B"	BETWEEN RAILS "C" MINIMUM
WY10-01-36 HD	36"	45.00	32.00	42.50
WY10-01-42 HD	42"	51.00	38.00 <td 48.50	
WY10-01-48 HD	48"	57.00	44.00	54.50
WY10-01-54 HD	54"	63.00	50.00	60.50
WY10-01-60 HD	60"	69.00	56.00	66.50
WY10-01-72 HD	72"	81.00	68.00	78.50



NOTE:  
CALIBRATION WEIGHT LIFTER HANDLE, LINKAGE BAR, SIGNAL CONDITIONER AND ELECTRICAL CONNECTION ARE SHOWN FOR RIGHT HAND UNITS. LOCATED OPPOSITE SIDE SHOWN FOR LEFT HAND UNITS.



THIS DRAWING IS THE PROPERTY OF TECNETICS AND MAY NOT BE USED, COPIED OR DISCLOSED TO OTHERS WITHOUT PERMISSION OF TECNETICS  DIMENSIONS ARE IN INCHES TOLERANCES ARE "E" UNLESS OTHERWISE SPECIFIED A = ±.005      D = ±.060 B = ±.015      E = ±.125 C = ±.030      ANGLES = ±.5°  DO NOT SCALE THIS DRAWING REMOVE ALL BURRS AND UNNECESSARY SHARP EDGES	DRAWN BY FCP		1811 BUERKLE RD ST PAUL, MN 55110 PH 651-777-4780 FX 651-777-5582			
	DATE DRAWN 12/15/99		TITLE OUTLINE DIMENSIONS, WY10 HD 36" TO 72" WIDE BELT MILD STEEL CONSTRUCTION			
	CHECKED BY		SCALE NONE			
	DATE CHECKED		SIZE A	DRAWING NUMBER 20966100	SHEET OF 1 OF 1	REV A