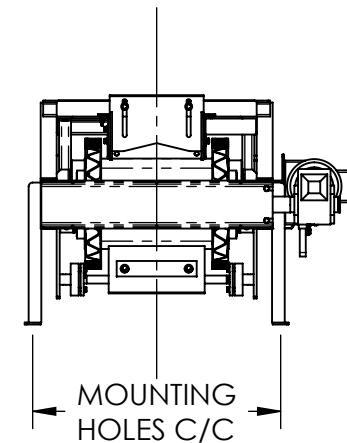
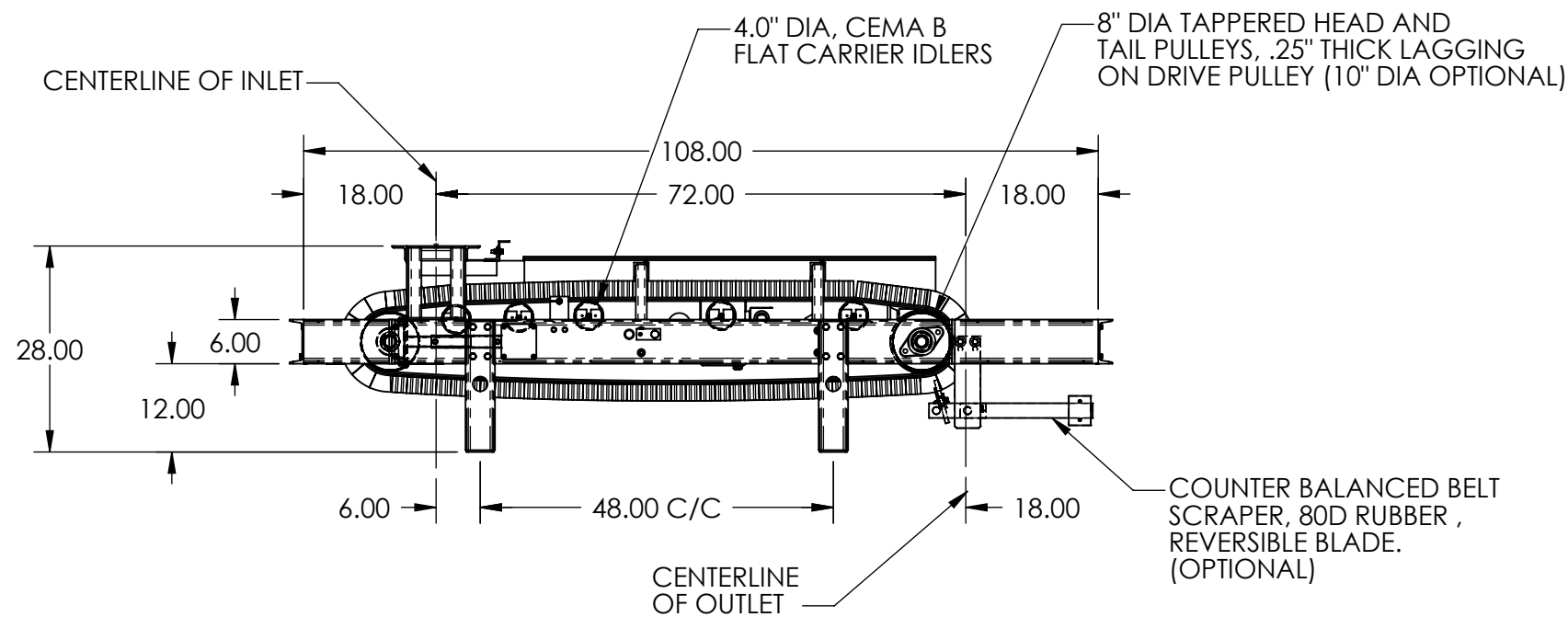
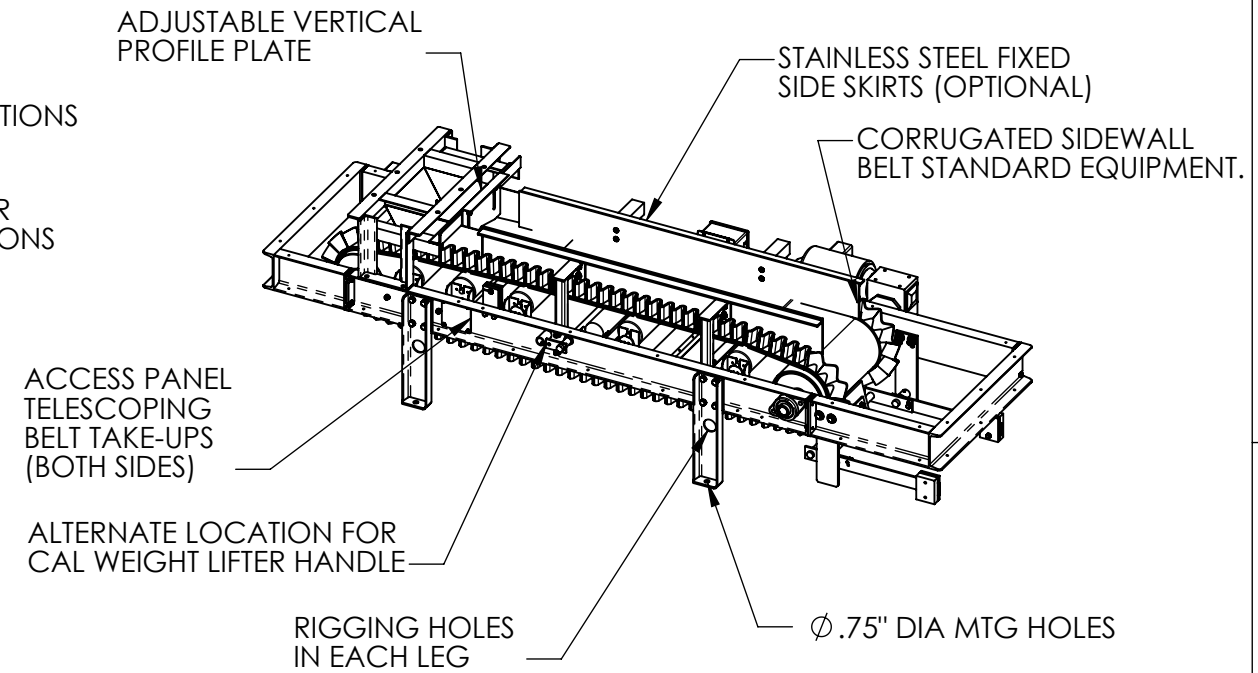
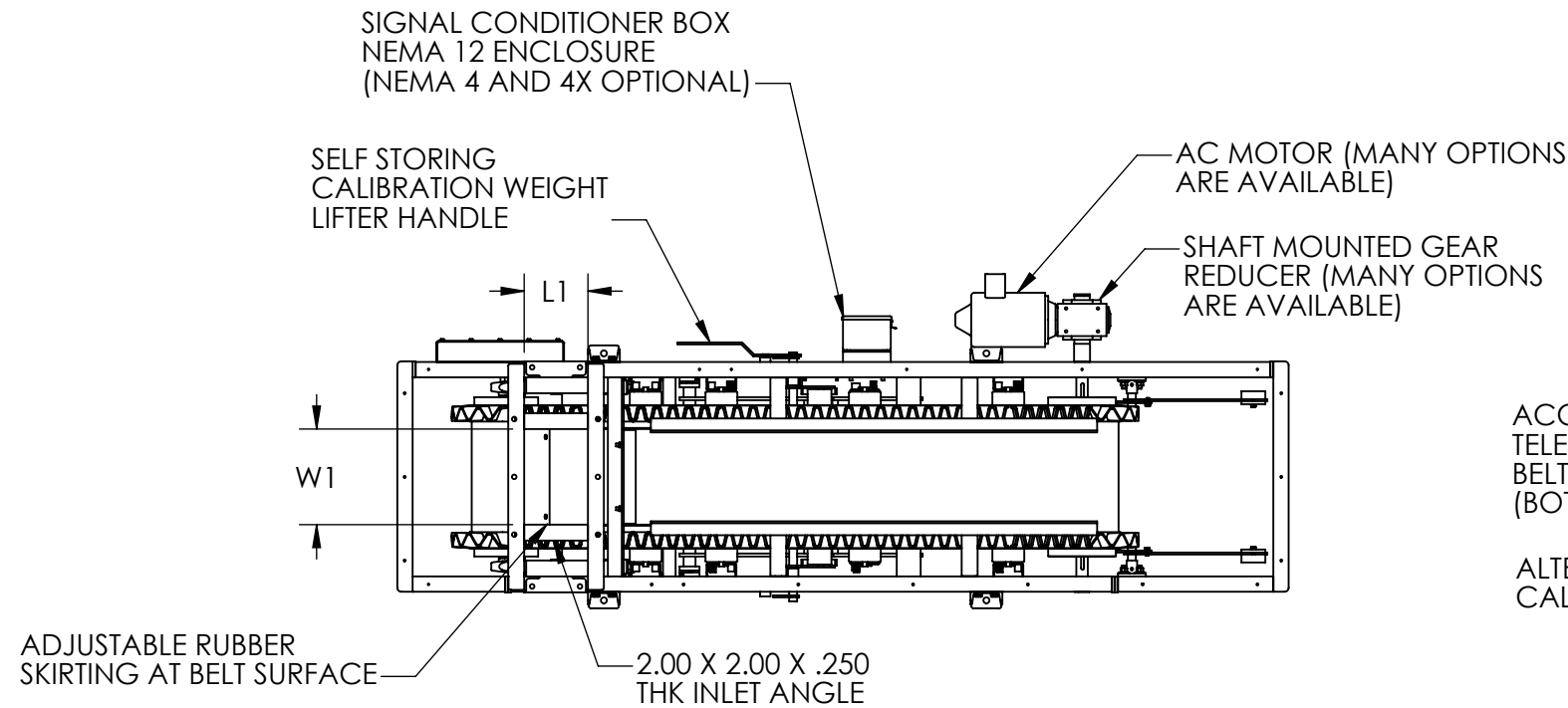


REV	DESCRIPTION OF CHANGE	BY	DATE
A	BELT WIDTH 14 WAS 12, MTG HOLES 27.00 WAS 25.00	FCP	2/14/5



CONSTRUCTION NOTES:  
 FRAME: WELDED C6X8.2# AND C4X5.4# STRUCTURAL CHANNEL.  
 PAINT: TGIC-POLYESTER BAKED POWDER COAT, PEWTER COLOR

BELT WIDTH	MTG HOLES	INLET	
		W1	L1
14	27.00	8.00	8.00
18	31.00	12.00	8.00
24	37.00	18.00	8.00
30	43.00	24.00	10.00
36	49.00	30.00	10.00

UNLESS OTHERWISE SPECIFIED DIMENSIONS ARE IN INCHES, TOLERANCES ARE:

WELDMENTS		ASSEMBLIES	
DECIMALS	ANGLES	DECIMALS	ANGLES
.XX ± .06	± 1.0	.XX ± .12	± 1.0
.XXX ± .032		.XXX ± .063	

APPROVALS: DRAWN FCP 7/27/4, CHECKED, APPROVED

DO NOT SCALE FROM DRAWING

TECWEIGH  
1811 Buerkle Rd., St. Paul, MN 55110

TITLE: OUTLINE DIMENSIONS WF10-XX-6' OPEN CONTR.

SIZE DWG. NO. 26001049, REV. A

SCALE 1:24 SHEET 1 OF 1