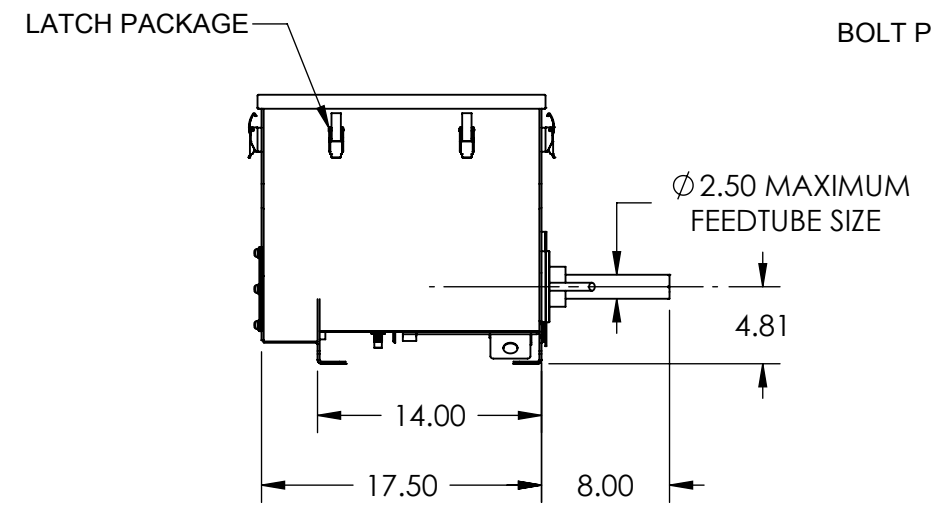
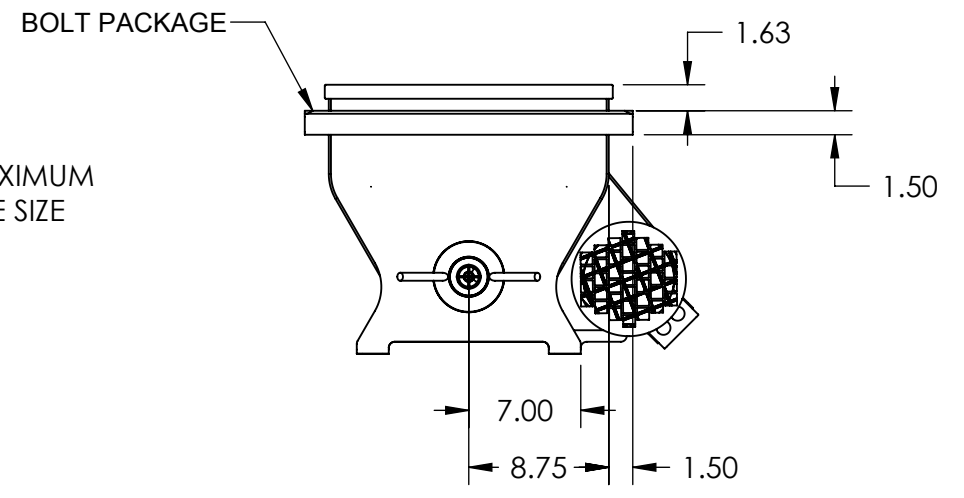


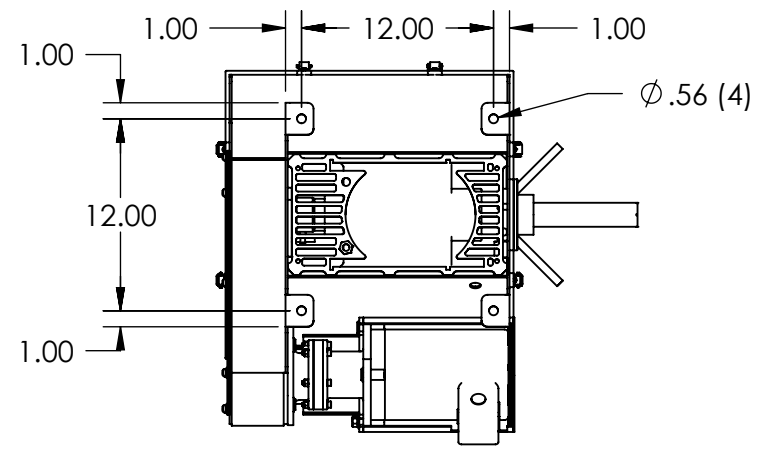
PLAIN CABINET



LATCH PACKAGE CABINET



BOLT PACKAGE CABINET



UNLESS OTHERWISE SPECIFIED DIMENSIONS ARE IN INCHES, TOLERANCES ARE:		CAD DRAWING, DO NOT MANUALLY UPDATE		 1811 Buerkle Rd., St. Paul, MN 55110
WELDMENTS ASSEMBLIES		THIRD ANGLE PROJECTION		
DECIMALS .XX ± .06	ANGLES ± 1.0	DATE 9/12/08	TITLE: OUTLINE DIMENSIONS V10 SERIES	
DECIMALS .XXX ± .032	ANGLES ± 0.63	DRAWN PDB	CHECKED	
THE INFORMATION CONTAINED IN THIS DRAWING IS THE SOLE PROPERTY OF TECNETICS INDUSTRIES INC. ANY REPRODUCTION IN PART OR WHOLE WITHOUT THE WRITTEN PERMISSION OF TECNETICS INDUSTRIES INC. IS STRICTLY PROHIBITED.		DO NOT SCALE FROM DRAWING		SIZE B DRAWING NUMBER 30020400 SCALE 1:12 SHEET 1 OF 2

EXTENSION HOPPER
HINGED COVER WITH
COVER STOP, AND HANDLE

18.26 SQUARE

MOTOR/REDUCER
LOCATION

MOTOR HEAT SHIELD

MOTOR/REDUCER
LOCATION

RIGHT HAND V10 FEEDER WITHOUT MOTOR HEAT SHIELD

LEFT HAND V10 FEEDER WITH MOTOR HEAT SHIELD

2 CUBIC FOOT
EXTENSION HOPPER

3.00

16.14

33.01

16.88

UNLESS OTHERWISE SPECIFIED
DIMENSIONS ARE IN INCHES,
TOLERANCES ARE:

WELDMENTS		ASSEMBLIES	
DECIMALS	ANGLES	DECIMALS	ANGLES
.XX ± .06	± 1.0	.XX ± .12	± 1.0
.XXX ± .032		.XXX ± .063	

THE INFORMATION CONTAINED IN THIS
DRAWING IS THE SOLE PROPERTY OF
TECNETICS INDUSTRIES INC. ANY
REPRODUCTION IN PART OR WHOLE
WITHOUT THE WRITTEN PERMISSION
OF TECNETICS INDUSTRIES INC.
IS STRICTLY PROHIBITED.

CAD DRAWING, DO
NOT MANUALLY UPDATE
THIRD ANGLE
PROJECTION

DRAWN	DATE
PDB	9/12/08
CHECKED	

APPROVED

DO NOT SCALE
FROM DRAWING

TECWEIGH
1811 Buerkle Rd., St. Paul, MN 55110

TITLE:
OUTLINE DIMENSIONS V10 SERIES

SIZE	DRAWING NUMBER	REV
B	30020400	

SCALE 1:8 SHEET 2 OF 2