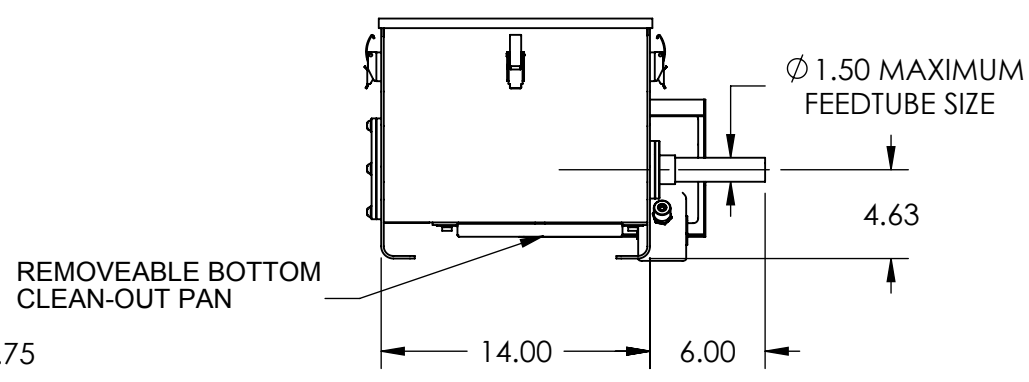
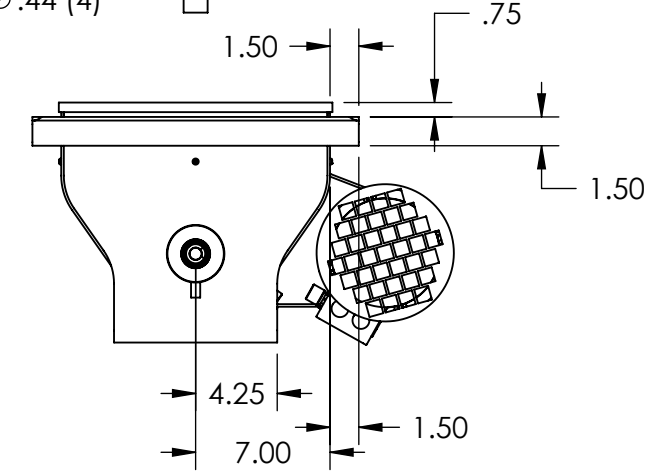


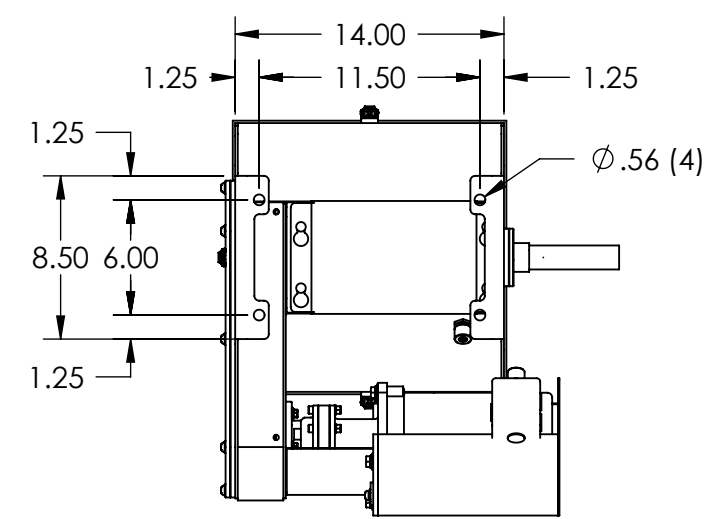
PLAIN CABINET



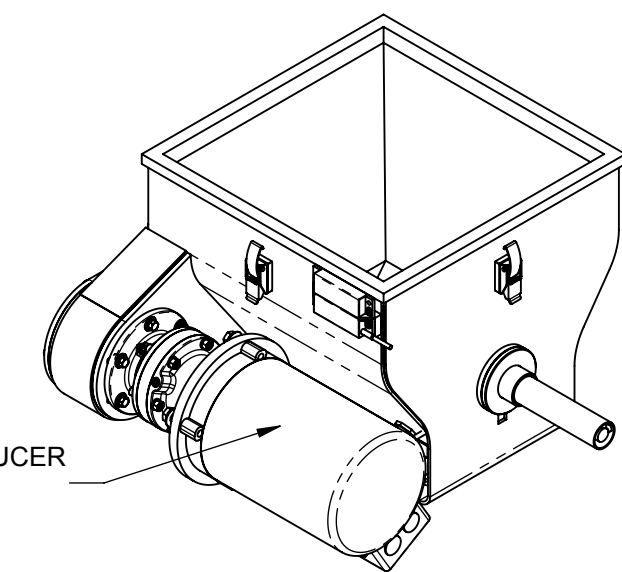
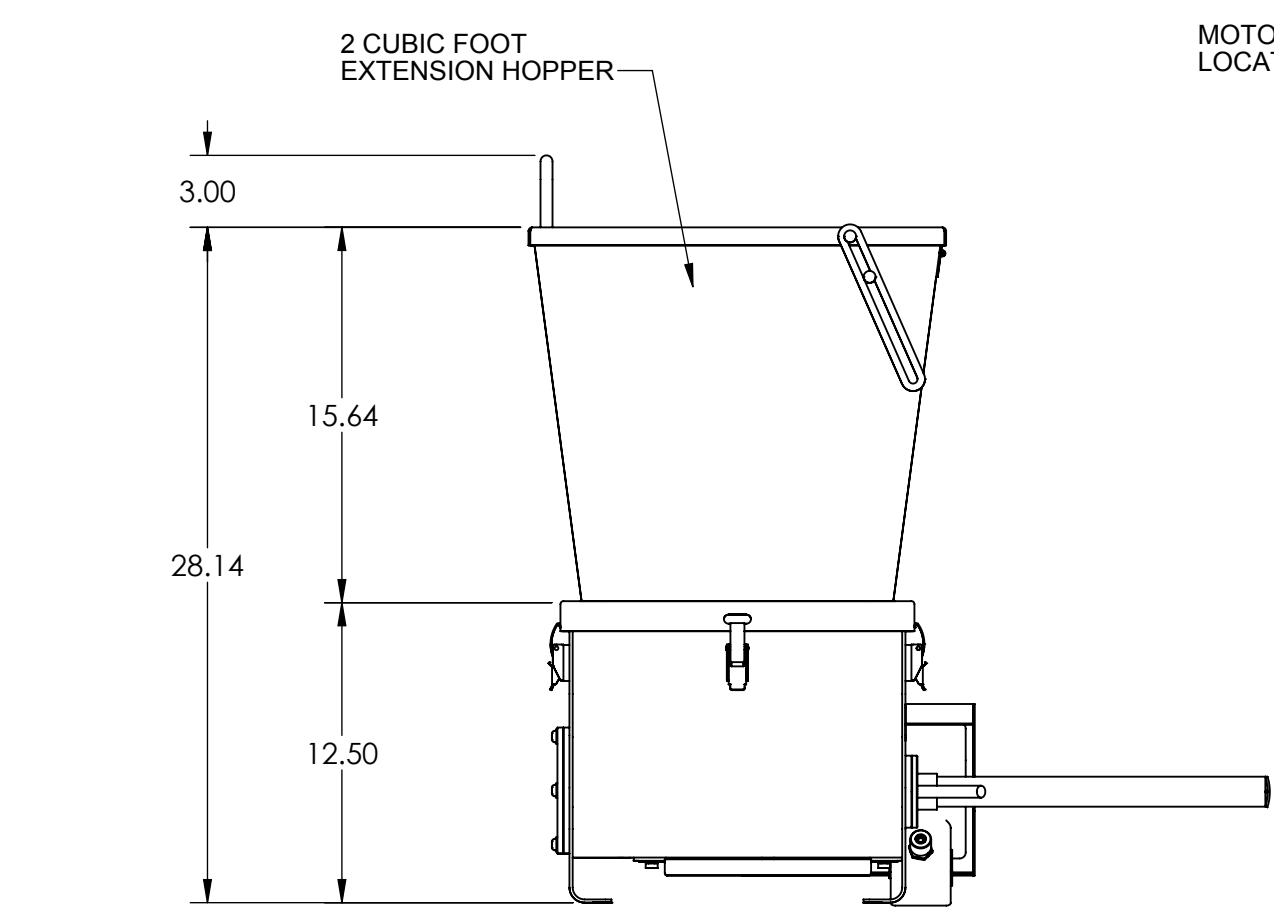
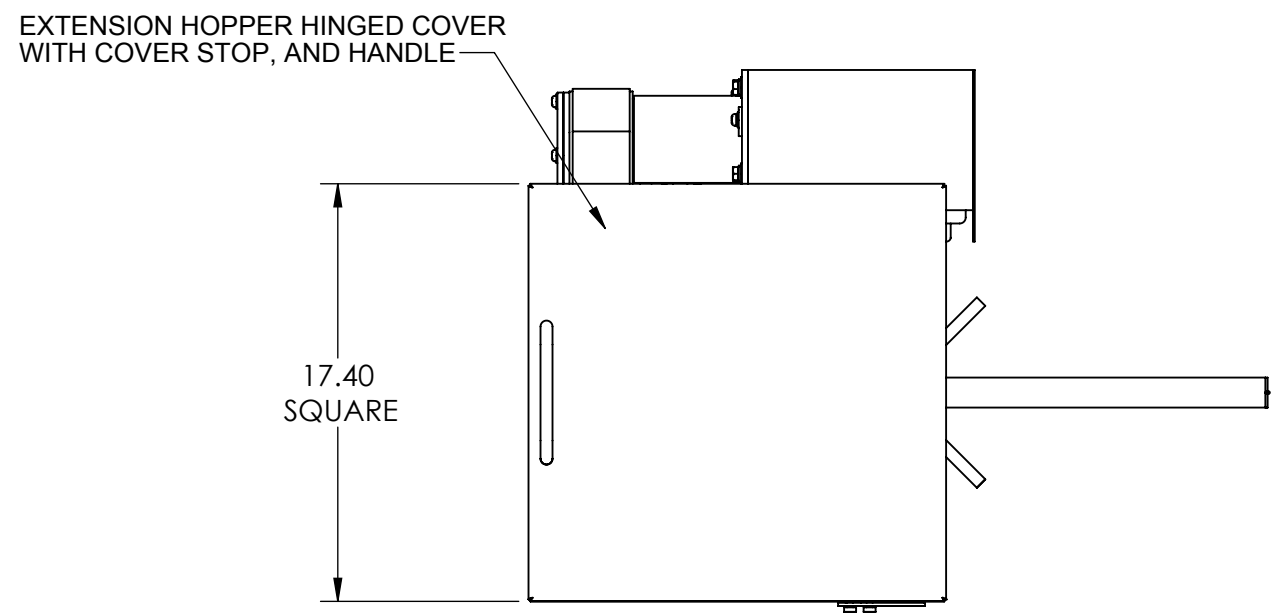
LATCH PACKAGE CABINET



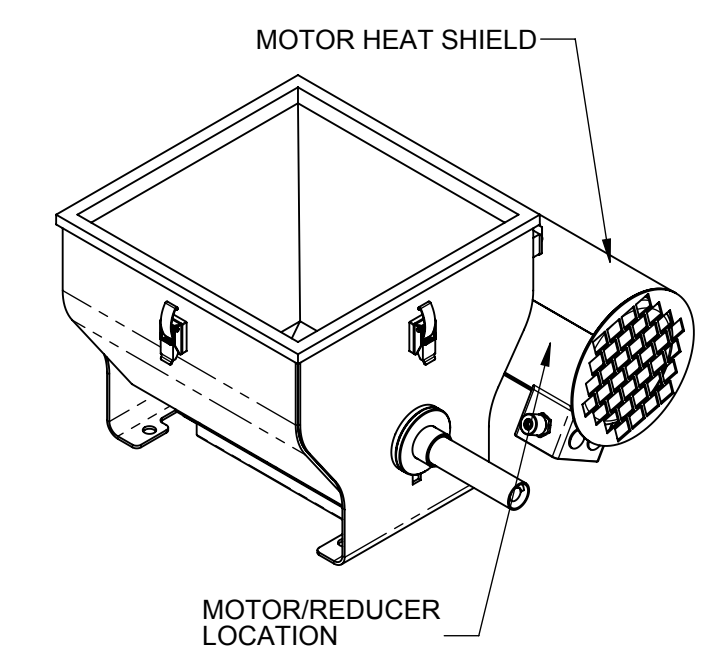
BOLT PACKAGE CABINET




UNLESS OTHERWISE SPECIFIED DIMENSIONS ARE IN INCHES, TOLERANCES ARE: WELDMENTS ASSEMBLIES DECIMALS ANGLES DECIMALS ANGLES .XX ± .06 ± 1.0 .XX ± .12 ± 1.0 .XXX ± .032 .XXX ± .063 THE INFORMATION CONTAINED IN THIS DRAWING IS THE SOLE PROPERTY OF TECNETICS INDUSTRIES INC. ANY REPRODUCTION IN PART OR WHOLE WITHOUT THE WRITTEN PERMISSION OF TECNETICS INDUSTRIES INC. IS STRICTLY PROHIBITED.	CAD DRAWING, DO NOT MANUALLY UPDATE THIRD ANGLE PROJECTION DATE: 9/11/2008	 1811 Buerkle Rd., St. Paul, MN 55110 TITLE: OUTLINE DIMENSIONS S5A SERIES	
	DRAWN: RSD CHECKED:		
	APPROVED:	DO NOT SCALE FROM DRAWING	SIZE: B DRAWING NUMBER: 30020500 SCALE: 1:10 SHEET 1 OF 2



RIGHT HAND S5A FEEDER WITHOUT MOTOR HEAT SHIELD



LEFT HAND S5A FEEDER WITH MOTOR HEAT SHIELD

UNLESS OTHERWISE SPECIFIED DIMENSIONS ARE IN INCHES, TOLERANCES ARE:		CAD DRAWING, DO NOT MANUALLY UPDATE		 1811 Buerkle Rd., St. Paul, MN 55110
WELDMENTS ASSEMBLIES		THIRD ANGLE PROJECTION		
DECIMALS .XX ± .06	ANGLES ± 1.0	DECIMALS .XX ± .12	ANGLES ± 1.0	TITLE: OUTLINE DIMENSIONS S5A SERIES
.XXX ± .032		.XXX ± .063		DATE: 9/11/2008
THE INFORMATION CONTAINED IN THIS DRAWING IS THE SOLE PROPERTY OF TECNETICS INDUSTRIES INC. ANY REPRODUCTION IN PART OR WHOLE WITHOUT THE WRITTEN PERMISSION OF TECNETICS INDUSTRIES INC. IS STRICTLY PROHIBITED.		APPROVED		DRAWING NUMBER: 30020500
DO NOT SCALE FROM DRAWING		SCALE 1:8		REV
		SHEET 2 OF 2		