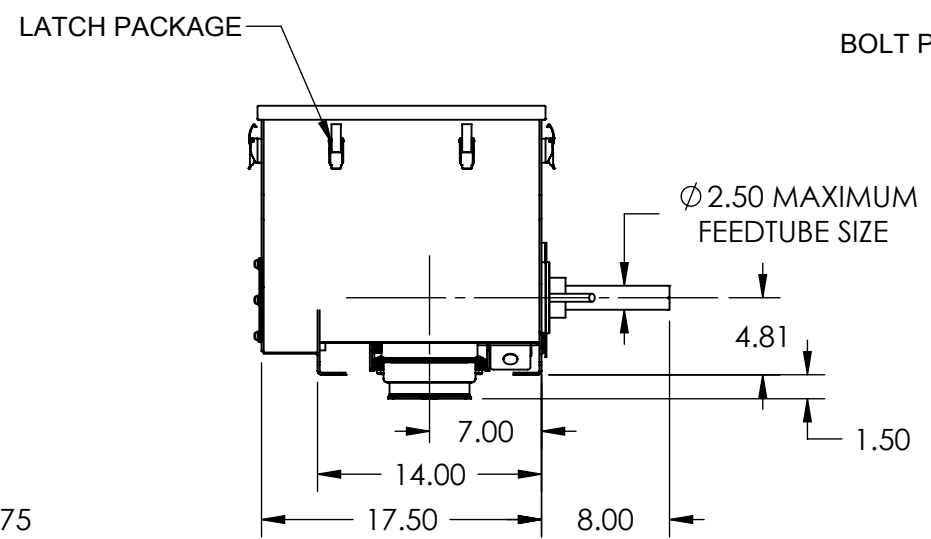
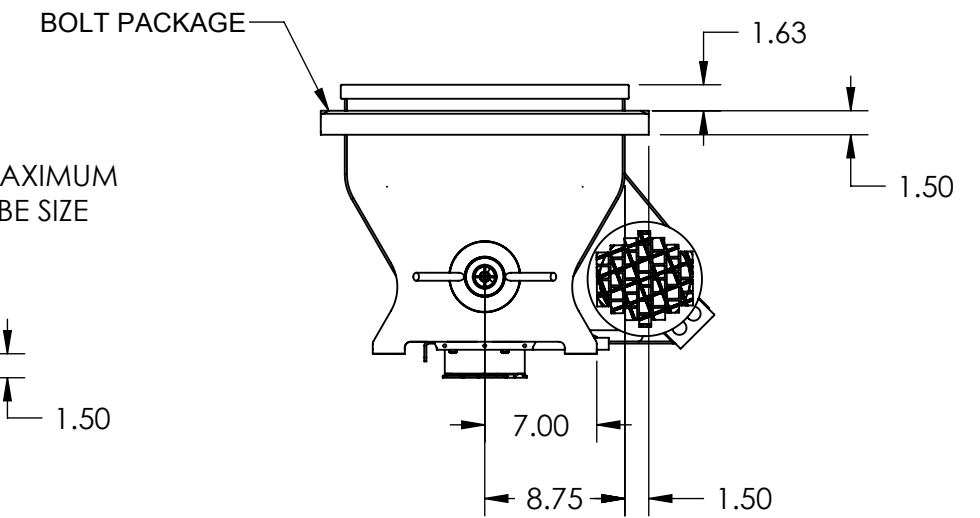


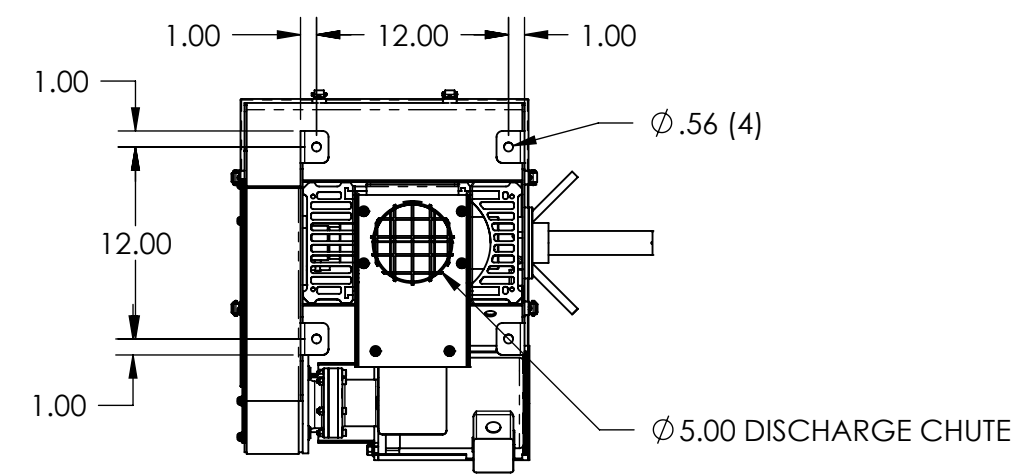
PLAIN CABINET



LATCH PACKAGE CABINET



BOLT PACKAGE CABINET

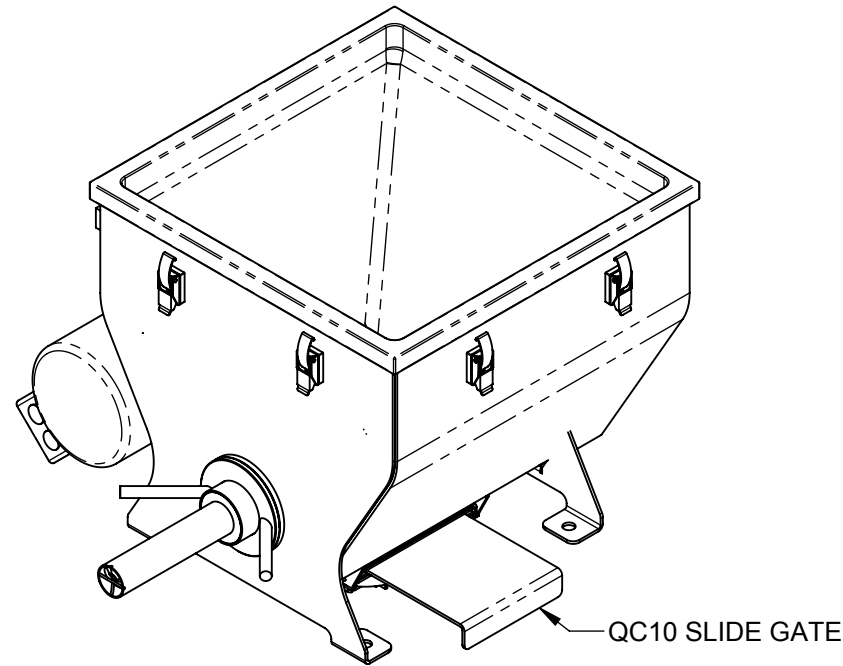


UNLESS OTHERWISE SPECIFIED DIMENSIONS ARE IN INCHES, TOLERANCES ARE:		CAD DRAWING, DO NOT MANUALLY UPDATE		 1811 Buerkle Rd., St. Paul, MN 55110	
WELDMENTS ASSEMBLIES		THIRD ANGLE PROJECTION			
DECIMALS	ANGLES	DECIMALS	ANGLES	DATE	TITLE:
.XX ± .06	± 1.0	.XX ± .12	± 1.0	9/12/2008	OUTLINE DIMENSIONS QC10 SERIES
.XXX ± .032		.XXX ± .063			
THE INFORMATION CONTAINED IN THIS DRAWING IS THE SOLE PROPERTY OF TECNETICS INDUSTRIES INC. ANY REPRODUCTION IN PART OR WHOLE WITHOUT THE WRITTEN PERMISSION OF TECNETICS INDUSTRIES INC. IS STRICTLY PROHIBITED.				APPROVED	
DO NOT SCALE FROM DRAWING				SIZE	DRAWING NUMBER
				B	30020300
				SCALE 1:12	SHEET 1 OF 2

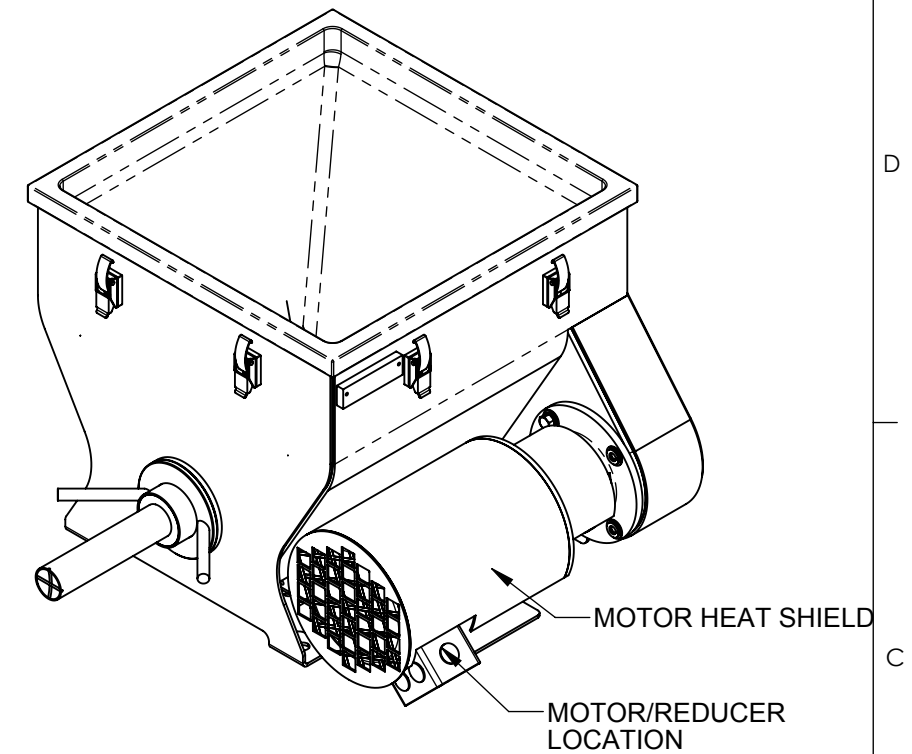
EXTENSION HOPPER
HINGED COVER WITH
COVER STOP, AND HANDLE

18.26 SQUARE

MOTOR/REDUCER
LOCATION



RIGHT HAND QC10 FEEDER WITHOUT MOTOR HEAT SHIELD



LEFT HAND QC10 FEEDER WITH MOTOR HEAT SHIELD

2 CUBIC FOOT
EXTENSION HOPPER

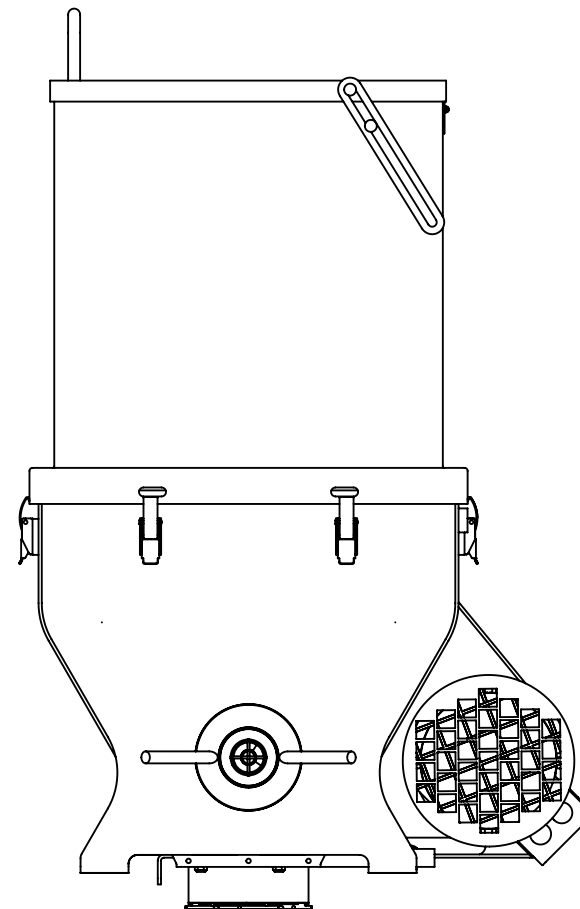
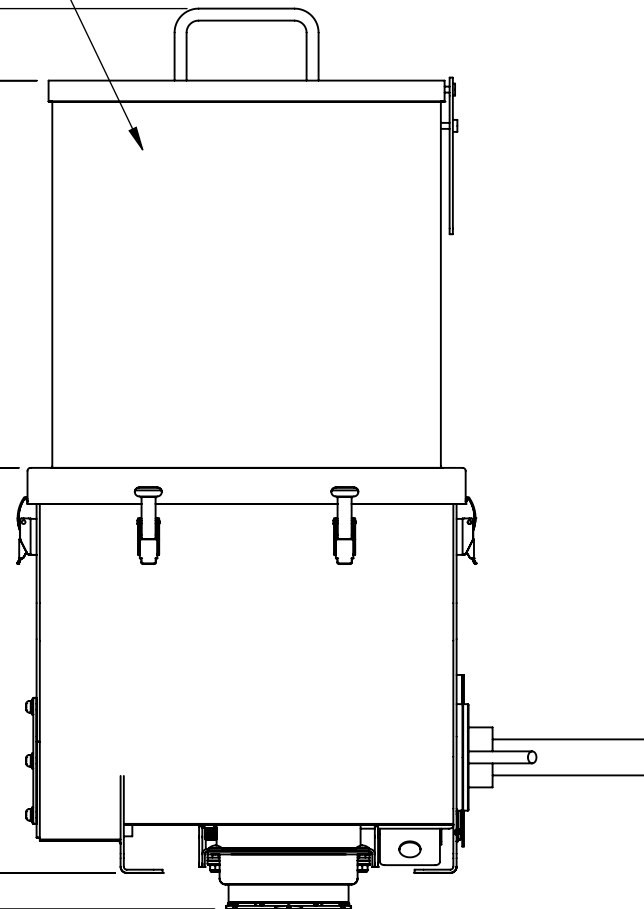
3.00


16.14

33.01

16.88

1.50



UNLESS OTHERWISE SPECIFIED DIMENSIONS ARE IN INCHES, TOLERANCES ARE:		CAD DRAWING, DO NOT MANUALLY UPDATE		 1811 Buerkle Rd., St. Paul, MN 55110
WELDMENTS ASSEMBLIES		THIRD ANGLE PROJECTION		
DECIMALS .XX ± .06	ANGLES ± 1.0	DATE 9/12/2008	TITLE: OUTLINE DIMENSIONS QC10 SERIES	
DECIMALS .XXX ± .032	ANGLES ± 0.63	CHECKED		
THE INFORMATION CONTAINED IN THIS DRAWING IS THE SOLE PROPERTY OF TECNETICS INDUSTRIES INC. ANY REPRODUCTION IN PART OR WHOLE WITHOUT THE WRITTEN PERMISSION OF TECNETICS INDUSTRIES INC. IS STRICTLY PROHIBITED.		APPROVED		
DO NOT SCALE FROM DRAWING		SIZE B	DRAWING NUMBER 30020300	REV
		SCALE 1:8		SHEET 2 OF 2