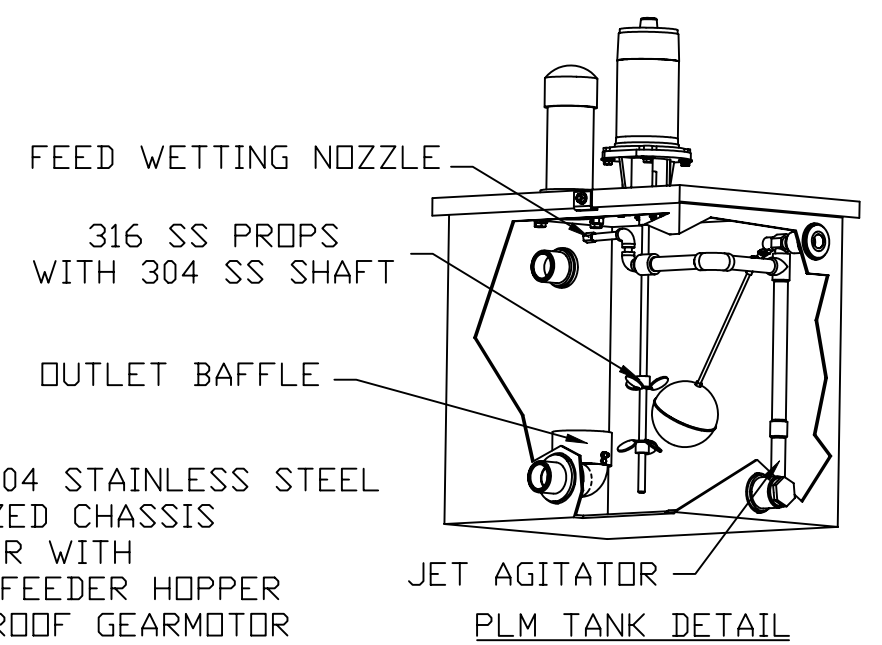
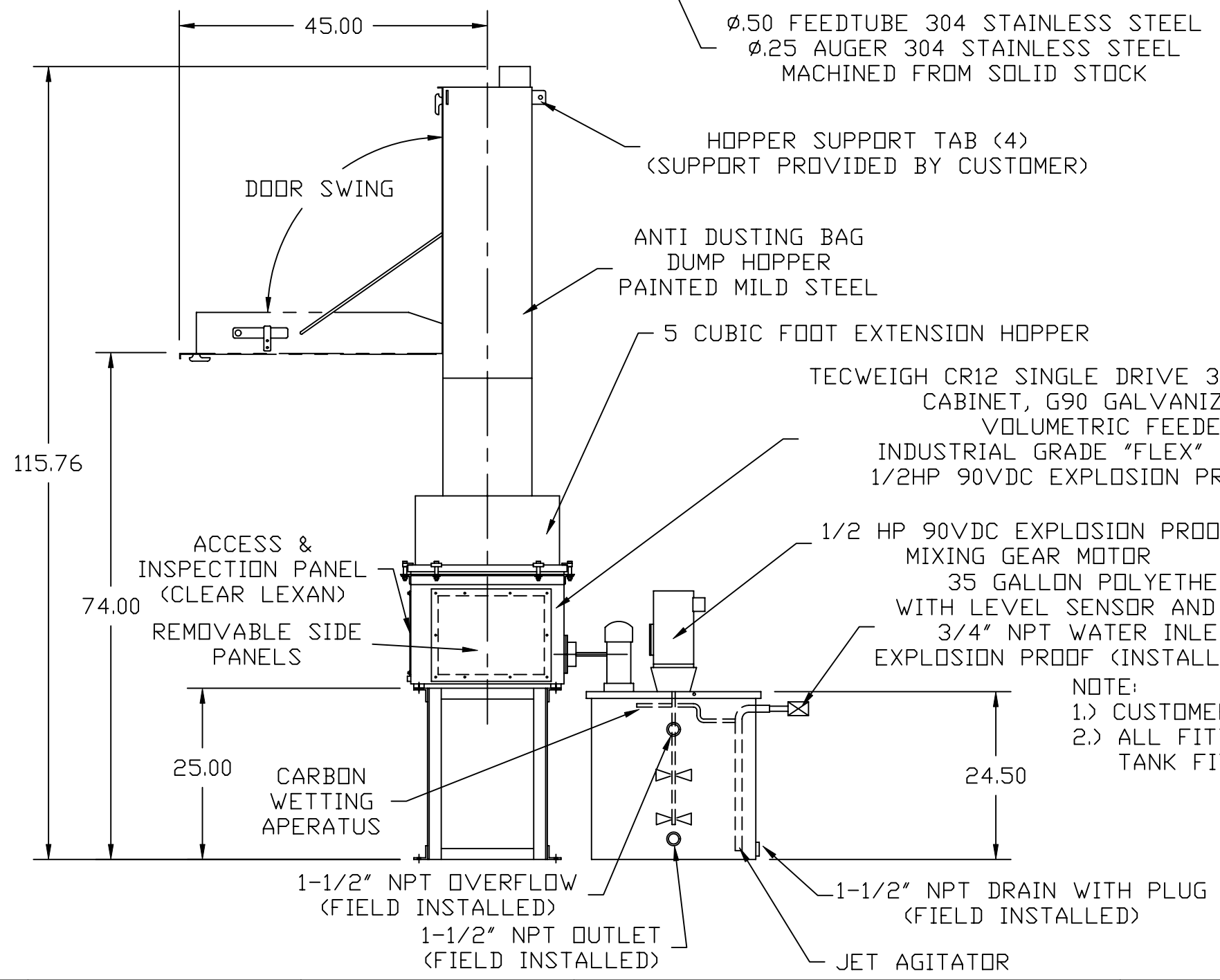
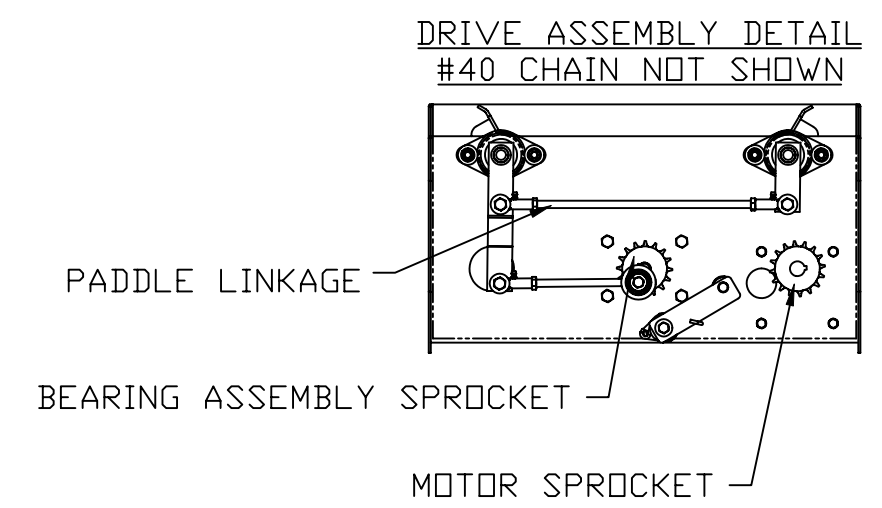
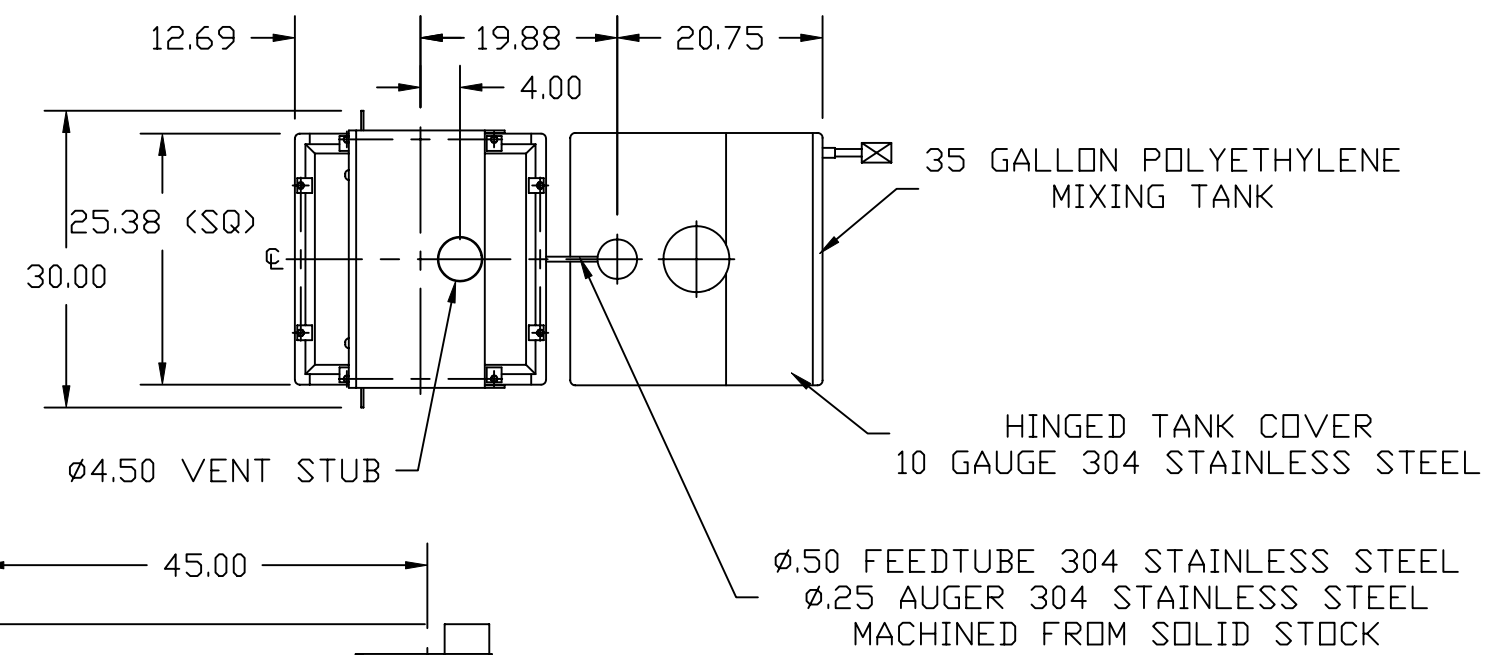


REV	DESCRIPTION	ZONE	DATE	APP
A	ADDED DETAILS, MOVED PLM 1.75' CLOSER, CHANGED CHAIN TO WIRE ROPE		12/5/1	RSD



NOTE:
1.) CUSTOMER TO VERIFY MATERIAL DENSITY OF 55 PCF
2.) ALL FITTINGS WILL BE SENT LOOSE FOR INSTALLATION ON SIDE TANK FITTINGS WILL REQUIRE TO CUT A Ø2.44 HOLE IN TANK)

THIS DRAWING IS THE PROPERTY OF TECNETICS AND MAY NOT BE USED, COPIED OR DISCLOSED TO OTHERS WITHOUT PERMISSION OF TECNETICS		DRAWN BY RSD	1811 BUERKLE RD ST PAUL, MN 55110 PH 651-777-4780 FX 651-777-5582	
DIMENSIONS ARE IN INCHES TOLERANCES ARE UNLESS OTHERWISE SPECIFIED		DATE DRAWN 8/1/1		
A = ±.005 D = ±.060 B = ±.015 E = ±.125 C = ±.030 ANGLES = ±.5°		CHECKED BY		
DO NOT SCALE THIS DRAWING		DATE CHECKED	TITLE OUTLINE DIMENSIONS CR12 PLM WITH ANTI-DUSTING BAG DUMP HOPPER	
REMOVE ALL BURRS AND UNNECESSARY SHARP EDGES		SCALE 1:20	SIZE B	DRAWING NUMBER 21028900
		JOB NUMBER 9508	SHEET 1 OF 1	REV A