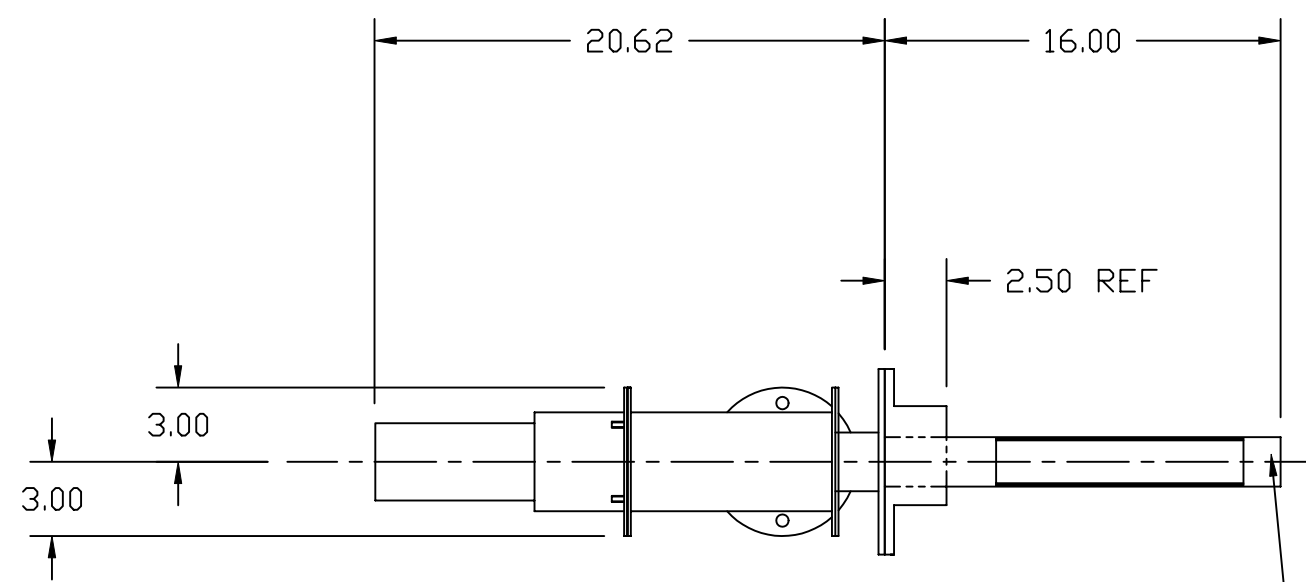


REV	DESCRIPTION	ZONE	DATE	APP
-				



Ø2.00 SAMPLER FEEDTUBE 304 STAINLESS STEEL  
 Ø1.75 SAMPLER AUGER 304 STAINLESS STEEL  
 WITH CENTERROD

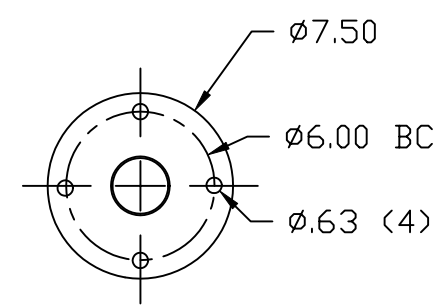
SUPPORT ARM  
 PROVIDED WITH  
 (2) 2" SQUARE  
 MOUNTING TABS

VESSEL WALL

1/8HP 90VDC 30RPM  
 GEARMOTOR

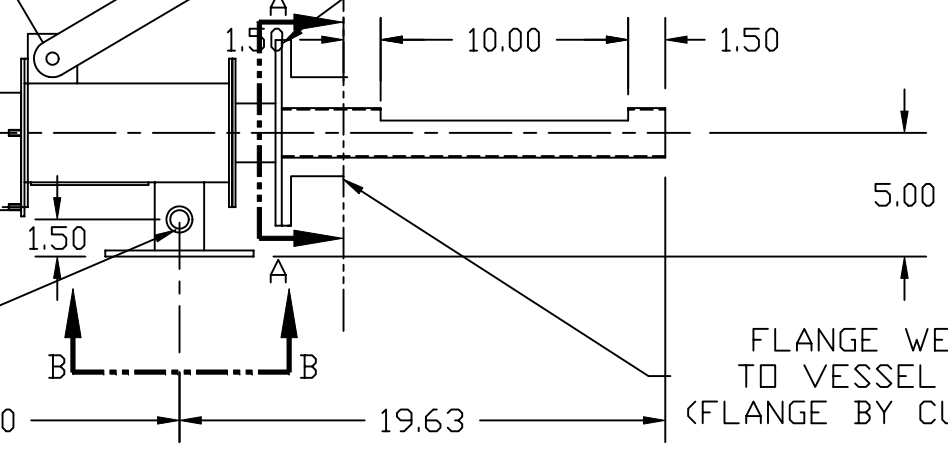
12.50

BOLTING FLANGE PLATE

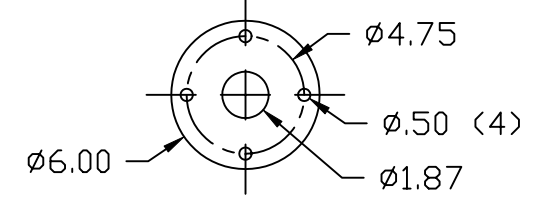


SECTION A-A

1/2" NPT AIR PURGE COUPLING  
 PROVIDED WITH NORMALLY CLOSED  
 120/240VAC 60Hz SOLENOID



FLANGE WELDED  
 TO VESSEL WALL  
 (FLANGE BY CUSTOMER)



SECTION B-B

THIS DRAWING IS THE PROPERTY OF TECNETICS AND MAY NOT BE USED, COPIED OR DISCLOSED TO OTHERS WITHOUT PERMISSION OF TECNETICS		DRAWN BY PDB		1811 BUERKLE RD ST PAUL, MN 55110 PH 651-777-4780 FX 651-777-5582	
DIMENSIONS ARE IN INCHES TOLERANCES ARE: C UNLESS OTHERWISE SPECIFIED		DATE DRAWN 7/28/07		CHECKED BY	TITLE OUTLINE DIMENSIONS MATERIAL SAMPLER
A = ±.005 D = ±.060 B = ±.015 E = ±.125 C = ±.030 ANGLES = ±.5°		DATE CHECKED	SCALE 1/8	SIZE B	DRAWING NUMBER 21104202
DO NOT SCALE THIS DRAWING REMOVE ALL BURRS AND UNNECESSARY SHARP EDGES		JOB NUMBER	SHEET 1 OF 1	REV	