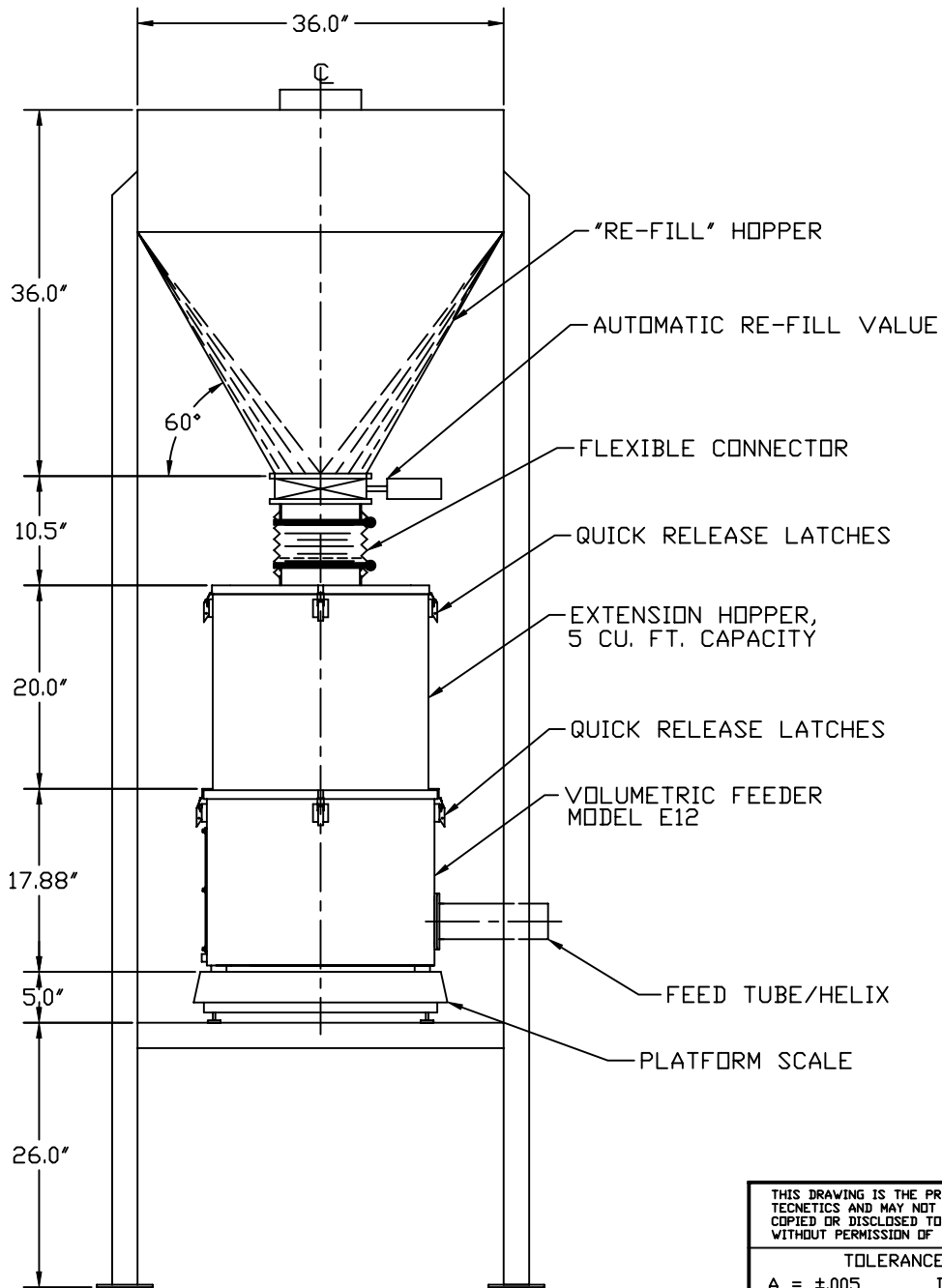


REVISIONS					
REV	E.C.D. NO.	ZONE	DESCRIPTION	DATE	APPROVED



<p>THIS DRAWING IS THE PROPERTY OF TECNETICS AND MAY NOT BE USED, COPIED OR DISCLOSED TO OTHERS WITHOUT PERMISSION OF TECNETICS</p>	<p>DRAWN JT</p>	<p>DATE 7/21/92</p>	<p><b>TECNETICS INDUSTRIES INC.</b> ST. PAUL, MINNESOTA</p>			
	<p>CHECKED</p>	<p>DATE</p>				
	<p>TOLERANCES</p> <p>A = ±.005      D = ±.060</p> <p>B = ±.010      E = ±.125</p> <p>C = ±.030      F = ±.250</p> <p>ANGLES = ±.5°</p> <p>DO NOT SCALE THIS DRAWING</p> <p>REMOVE ALL BURRS AND UNNECESSARY SHARP EDGES</p>		<p>APPROVED</p>	<p>DATE</p>	<p>TITLE TYPICAL L-I-W SYSTEM, SALES ARRANGEMENT W/CALL-OUTS AND OUTLINE DIMENSIONS</p>	
	<p>SCALE NONE</p> <p>USED ON 12 SERIES</p>		<p>JOB NO.</p>	<p>SIZE A</p>		
<p>NEXT ASSEMBLY</p>		<p>NEXT ASSEMBLY</p>		<p> </p>		