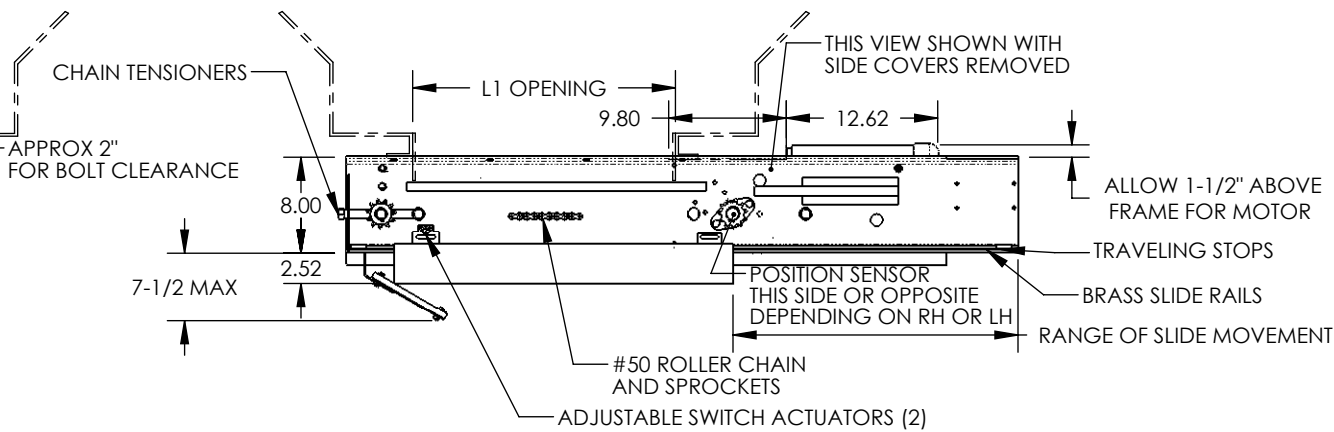
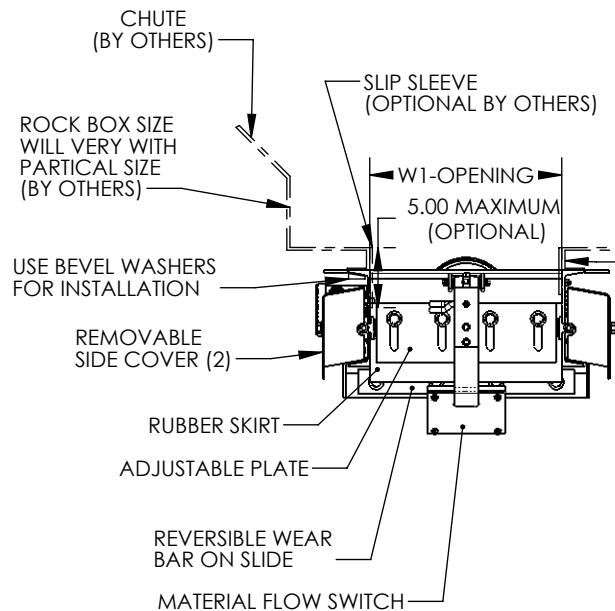
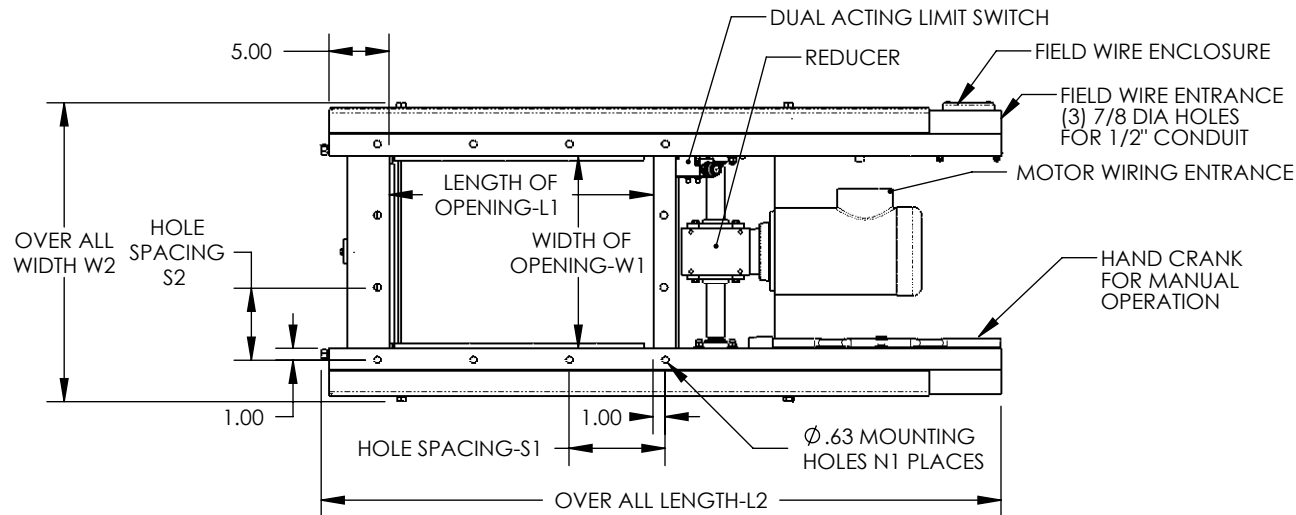
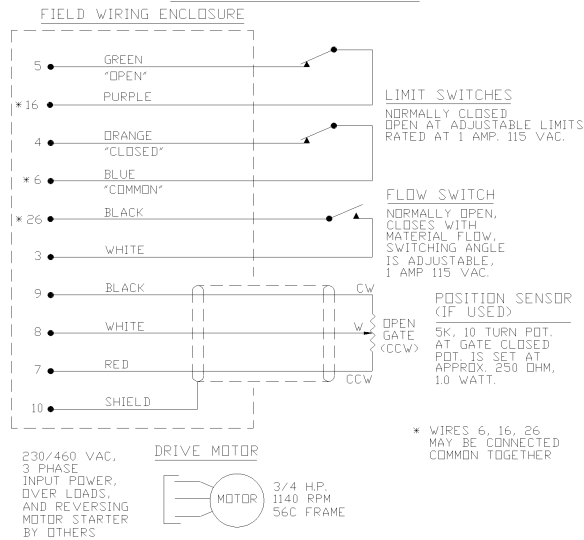


REV	DESCRIPTION OF CHANGE	BY	DATE
-----	-----------------------	----	------

CONTROL GATE WIRING



MODEL NO	W1	L1	N1	S1	S2	L2	W2
CG10-02-1216	12	16	6	9	14	45	22
CG-10-02-1622	16	22	12	8	6	57	26
CG-10-02-2028	20	28	14	7.5	7.33	69	30

LINER NOTE:  
SUBTRACT 1\"/>

UNLESS OTHERWISE SPECIFIED DIMENSIONS ARE IN INCHES, TOLERANCES ARE: WELDMENTS ASSEMBLIES DECIMALS ANGLES DECIMALS ANGLES .XX ± .06 ± 1.0 .XX ± .12 ± 1.0 .XXX ± .032 .XXX ± .063		CAD DRAWING, DO NOT MANUALLY UPDATE THIRD ANGLE PROJECTION		 1811 Buerkle Rd., St. Paul, MN 55110	
THE INFORMATION CONTAINED IN THIS DRAWING IS THE SOLE PROPERTY OF TECNETICS INDUSTRIES INC. ANY REPRODUCTION IN PART OR WHOLE WITHOUT THE WRITTEN PERMISSION OF TECNETICS INDUSTRIES INC. IS STRICTLY PROHIBITED.		DATE 1/15/08		TITLE: OUTLINE DIMENSIONS CG10-02 CONTROL GATE RH SHOWN (LH OPPOSITE)	
DO NOT SCALE FROM DRAWING		DRAWN PDB CHECKED		SIZE A DRAWING NUMBER 20061606	
		APPROVED		SCALE 1:16	
				SHEET 1 OF 2	

D

D

C

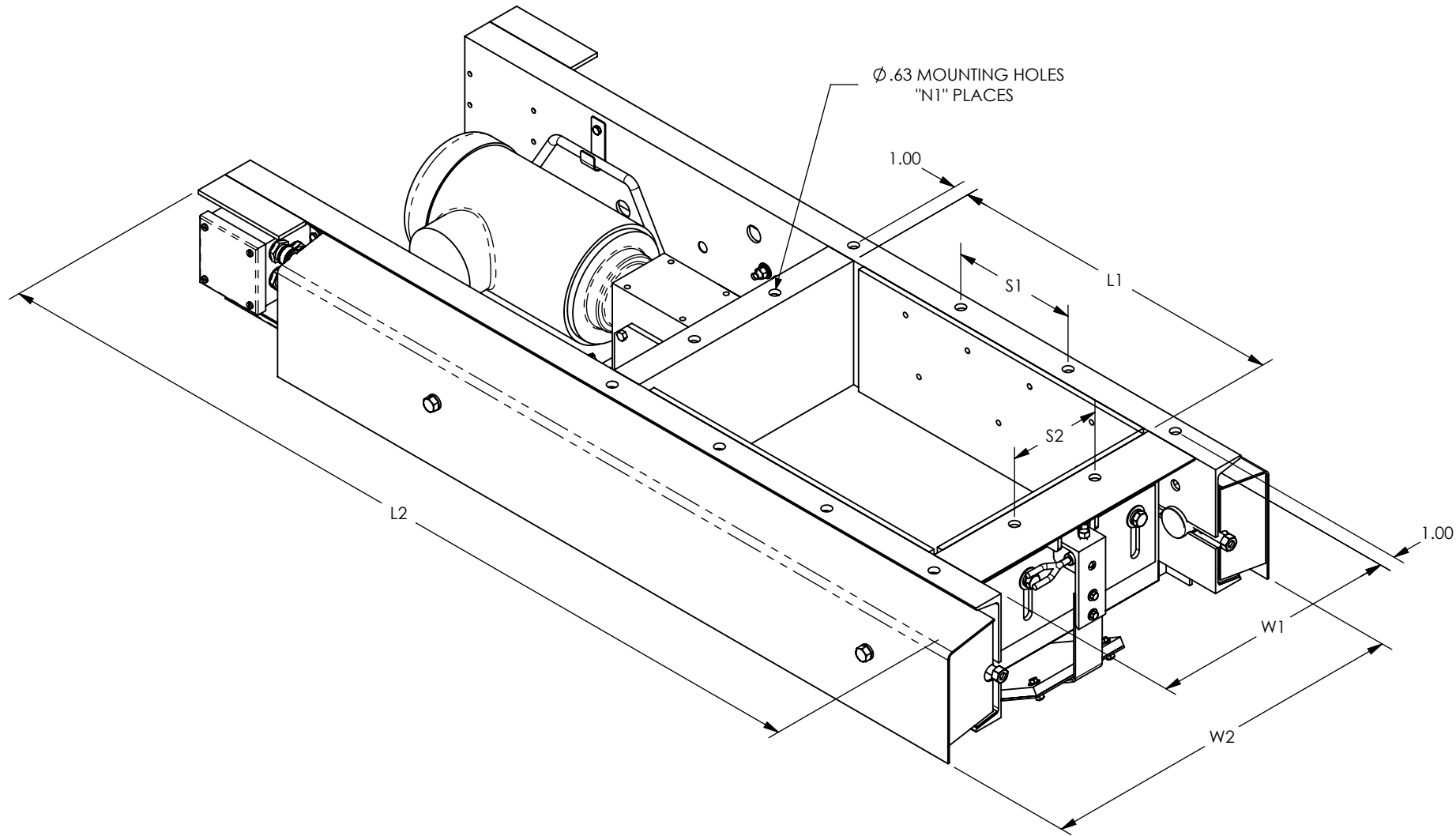
C

B

B

A

A



UNLESS OTHERWISE SPECIFIED  
DIMENSIONS ARE IN INCHES,  
TOLERANCES ARE:

WELDMENTS		ASSEMBLIES	
DECIMALS	ANGLES	DECIMALS	ANGLES
.XX ± .06	± 1.0	.XX ± .12	± 1.0
.XXX ± .032		.XXX ± .063	

THE INFORMATION CONTAINED IN THIS  
DRAWING IS THE SOLE PROPERTY OF  
TECNETICS INDUSTRIES INC. ANY  
REPRODUCTION IN PART OR WHOLE  
WITHOUT THE WRITTEN PERMISSION  
OF TECNETICS INDUSTRIES INC.  
IS STRICTLY PROHIBITED.

CAD DRAWING, DO  
NOT MANUALLY UPDATE

THIRD ANGLE  
PROJECTION

DRAWN	DATE
PDB	1/15/08
CHECKED	
APPROVED	

DO NOT SCALE  
FROM DRAWING



TITLE:  
OUTLINE DIMENSIONS  
CG10-02 CONTROL GATE  
RH SHOWN (LH OPPOSITE)

SIZE	DRAWING NUMBER	REV
A	20061606	