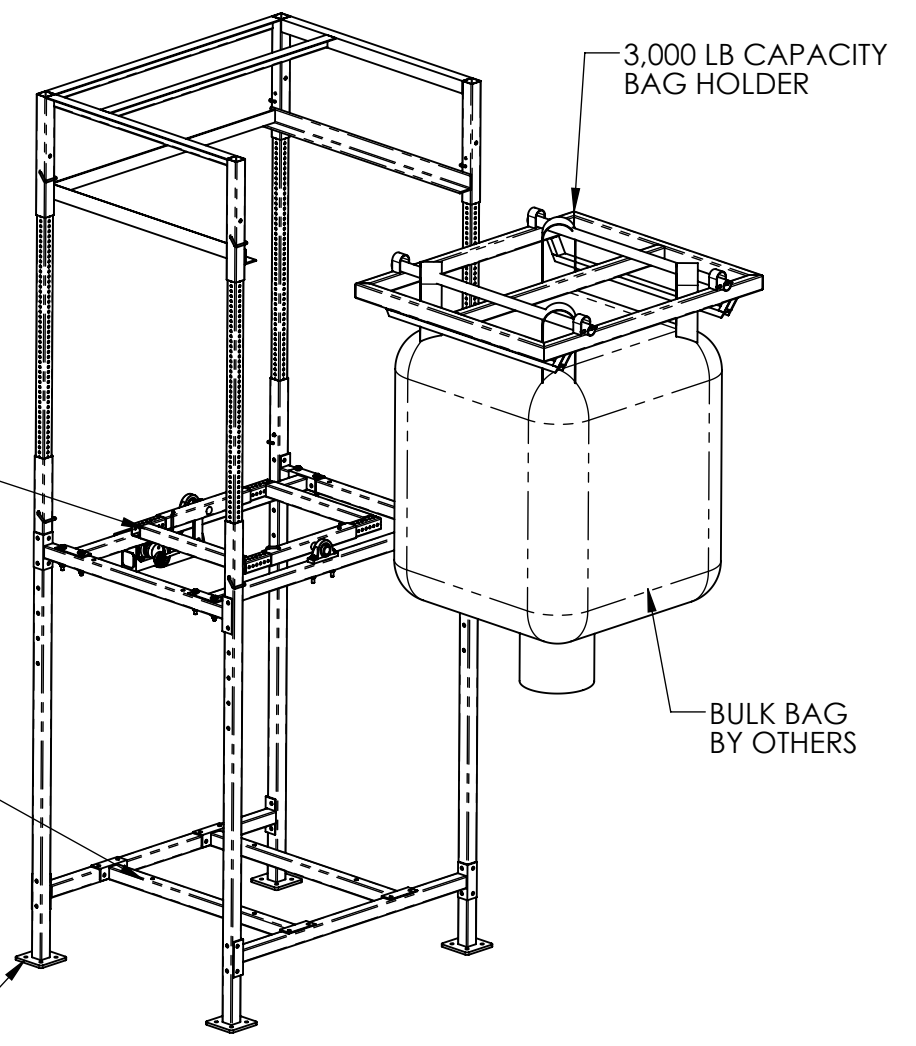


PERFORATED TUB MOUNTING PINS (8)
ADJUSTABLE HEIGHT PERFORATED TUBE

ADJUSTABLE HEIGHT BAG AGITATION ASSEMBLY WITH 1/2HP MOTOR

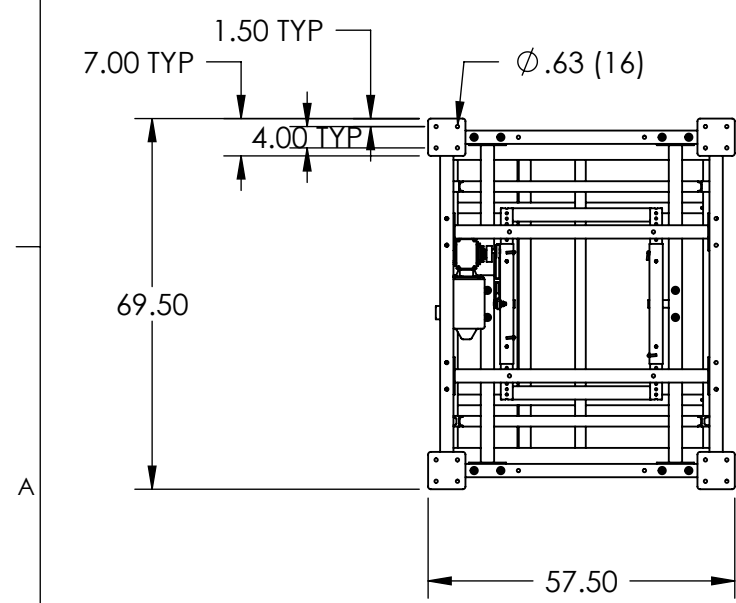
EQUIPMENT MOUNTING PLATFORM

BAG FRAME MOUNTING FEET



3,000 LB CAPACITY BAG HOLDER

BULK BAG BY OTHERS



NOTE: EQUIPMENT HEIGHT IS CUSTOMIZABLE TO APPLICATION

UNLESS OTHERWISE SPECIFIED DIMENSIONS ARE IN INCHES, TOLERANCES ARE:		CAD DRAWING, DO NOT MANUALLY UPDATE		 1811 Buerkle Rd., St. Paul, MN 55110
WELDMENTS ASSEMBLIES		THIRD ANGLE PROJECTION		
DECIMALS	ANGLES	DECIMALS	ANGLES	TITLE:
.XX ± .06	± 1.0	.XX ± .12	± 1.0	OUTLINE DIMENSIONS BFT100
.XXX ± .032		.XXX ± .063		BAG FRAME
THE INFORMATION CONTAINED IN THIS DRAWING IS THE SOLE PROPERTY OF TECNETICS INDUSTRIES INC. ANY REPRODUCTION IN PART OR WHOLE WITHOUT THE WRITTEN PERMISSION OF TECNETICS INDUSTRIES INC. IS STRICTLY PROHIBITED.		DATE	DATE	DATE
		DRAWN RSD	9/16/2008	
		CHECKED		
		APPROVED		
		DO NOT SCALE FROM DRAWING	SIZE B	DRAWING NUMBER 30020700
			SCALE 1:36	REV
				SHEET 1 OF 1